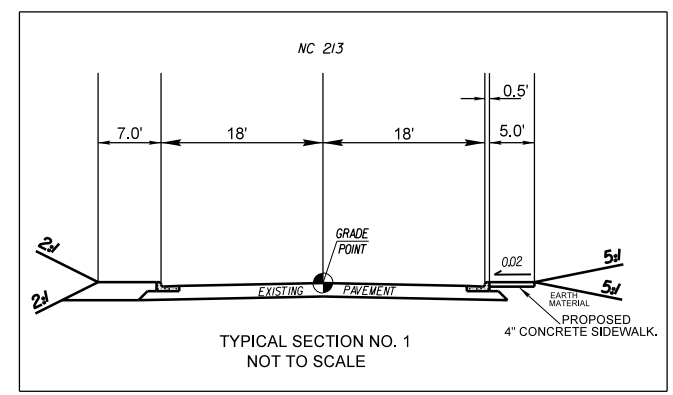
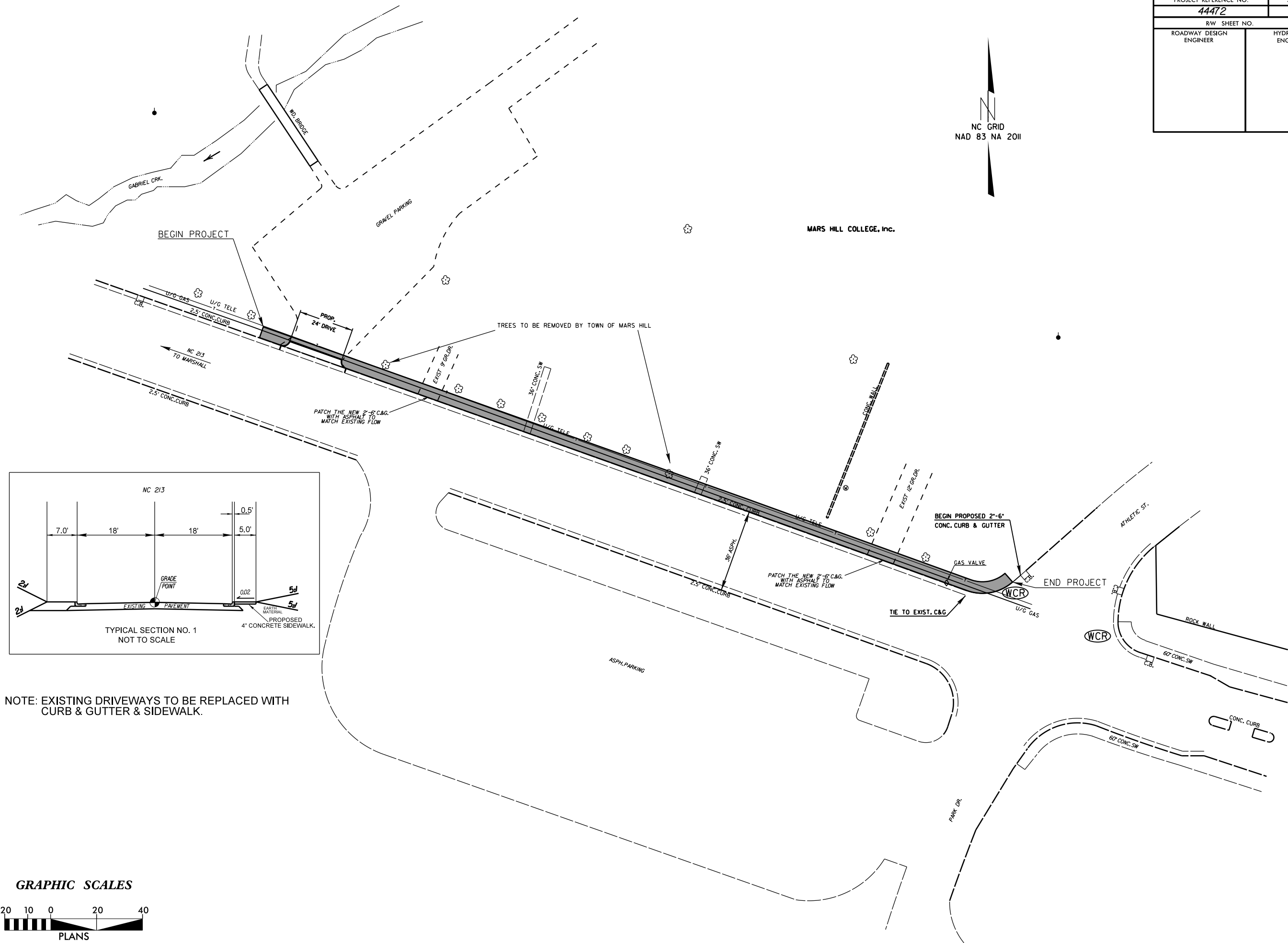
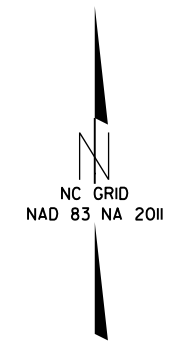
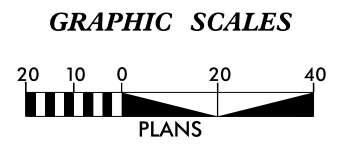


PROJECT REFERENCE NO. <b>44472</b>	SHEET NO. <b>1</b>
RW SHEET NO.	
ROADWAY DESIGN ENGINEER	HYDRAULICS ENGINEER



NOTE: EXISTING DRIVEWAYS TO BE REPLACED WITH CURB & GUTTER & SIDEWALK.



REVISIONS

21-SEP-2015 11:55  
 C:\Users\ldm\Documents\Projects\2015\20150921\20150921.dwg  
 Mars Hill SW\MARS Hill SW.dwg